

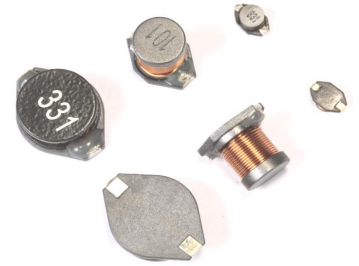


SMD POWER INDUCTOR CKOB Series

贴片功率电感 CKOB 系列

● FEATURES 特性

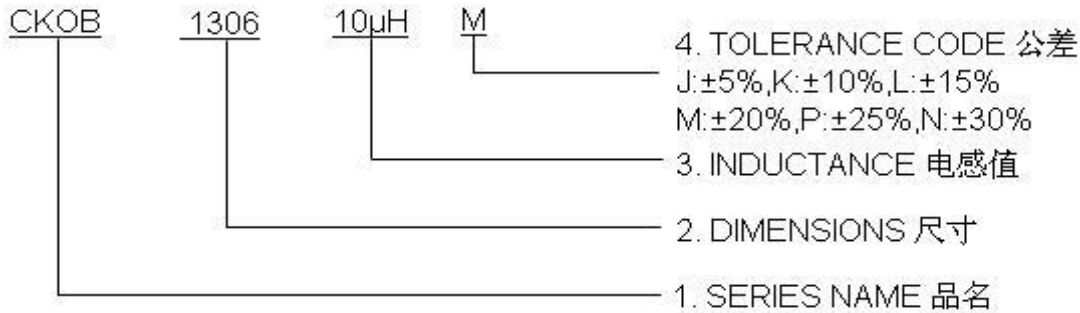
Various high power inductors are superior to be high saturation for surface mounting.
具有高功率、高饱和电流、低电阻特性。



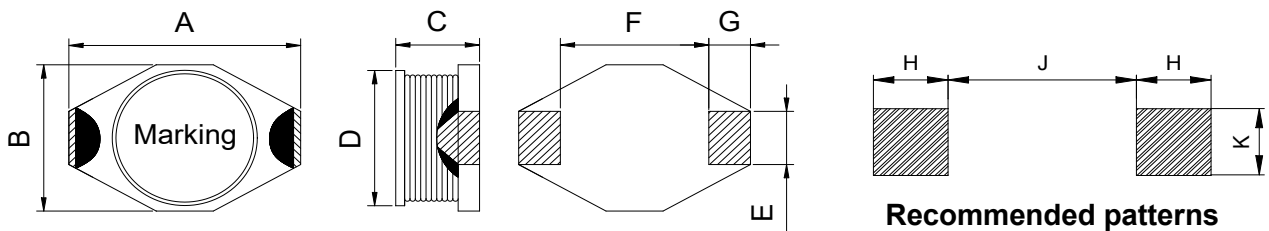
● APPLICATIONS 用途

Power supply for TVR,OA equipment, audio,
communication equipments, DC/DC converters, etc.
录影机, OA仪器, 音箱, 通信设备, DC/DC转换器

● PART NUMBERING SYSTEM 品名系统



● SHAPES AND DIMENSIONS 外形尺寸 (Unit:mm)



| TYPE(型号) | A (Max) | B (Max) | C (Max) | D | E | F | G | H | J | K |
|----------|---------|---------|---------|------|------|------|------|------|-------|------|
| CKOB1306 | 14.0 | 10.0 | 5.2 | 8.4 | 2.54 | 7.6 | 2.54 | 2.92 | 7.37 | 2.79 |
| CKOB1312 | 14.0 | 10.0 | 11.5 | 8.4 | 2.54 | 7.6 | 2.54 | 2.92 | 7.37 | 2.79 |
| CKOB1808 | 19.5 | 15.5 | 7.0 | 12.7 | 2.7 | 12.7 | 2.54 | 2.92 | 13.10 | 2.79 |

● SPECIFICATION TABLE 规格特性表
CKOB1306

| PART NUMBER 品名 | INDUCTANCE (μ H) 电感值 | DCR (Max) (Ω) 直流电阻 | IDC (Max) (A) 额定电流 |
|-------------------|---------------------------------|-----------------------------------|--------------------------|
| CKOB1306-4.7uH/M | 4.7 \pm 20% | 0.027 | 4.80 |
| CKOB1306-6.8uH/M | 6.8 \pm 20% | 0.038 | 4.50 |
| CKOB1306-10uH/M | 10 \pm 20% | 0.050 | 3.80 |
| CKOB1306-15uH/M | 15 \pm 20% | 0.068 | 3.00 |
| CKOB1306-22uH/M | 22 \pm 20% | 0.085 | 2.40 |
| CKOB1306-33uH/M | 33 \pm 20% | 0.130 | 2.00 |
| CKOB1306-47uH/M | 47 \pm 20% | 0.150 | 1.80 |
| CKOB1306-68uH/M | 68 \pm 20% | 0.260 | 1.30 |
| CKOB1306-100uH/M | 100 \pm 20% | 0.350 | 1.20 |
| CKOB1306-150uH/M | 150 \pm 20% | 0.450 | 0.80 |
| CKOB1306-220uH/M | 220 \pm 20% | 0.750 | 0.75 |
| CKOB1306-330uH/M | 330 \pm 20% | 1.020 | 0.60 |

CKOB1312

| PART NUMBER 品名 | INDUCTANCE (μ H) 电感值 | DCR (Max) (Ω) 直流电阻 | IDC (Max) (A) 额定电流 |
|-------------------|---------------------------------|-----------------------------------|--------------------------|
| CKOB1312-6.8uH/M | 6.8 \pm 20% | 0.030 | 6.00 |
| CKOB1312-10uH/M | 10 \pm 20% | 0.038 | 5.50 |
| CKOB1312-22uH/M | 22 \pm 20% | 0.080 | 4.00 |
| CKOB1312-33uH/M | 33 \pm 20% | 0.100 | 3.80 |
| CKOB1312-47uH/M | 47 \pm 20% | 0.120 | 3.50 |
| CKOB1312-68uH/M | 68 \pm 20% | 0.190 | 2.70 |
| CKOB1312-100uH/M | 100 \pm 20% | 0.250 | 2.50 |
| CKOB1312-330uH/M | 330 \pm 20% | 0.700 | 1.20 |

Remark: 1. All test data is reference to 25 $^{\circ}$ C ambient.

2. Inductance Tested at 100kHz,0.25Vrms

3. IDC: DC current at which the inductance drops approximate 20% from its value without current;

4. Irms: DC current that causes the temperature rise ($\Delta T \leq 40^{\circ}C$) from 25 $^{\circ}$ C ambient.

5. Operating Temperature : -40 $^{\circ}$ C ~ +125 $^{\circ}$ C(Including self - temperature rise)



CKOB1808

| PART NUMBER 品名 | INDUCTANCE (μ H) 电感值 | DCR (Max) (Ω) 直流电阻 | IDC (Max) (A) 额定电流 |
|-------------------|---------------------------------|-----------------------------------|--------------------------|
| CKOB1808-4.7uH/M | 4.7 \pm 20% | 0.020 | 10.00 |
| CKOB1808-10uH/M | 10 \pm 20% | 0.030 | 6.00 |
| CKOB1808-33uH/M | 33 \pm 20% | 0.090 | 5.50 |
| CKOB1808-47uH/M | 47 \pm 20% | 0.120 | 4.50 |
| CKOB1808-68uH/M | 68 \pm 20% | 0.170 | 3.50 |
| CKOB1808-100uH/M | 100 \pm 20% | 0.250 | 3.00 |
| CKOB1808-150uH/M | 150 \pm 20% | 0.350 | 2.00 |
| CKOB1808-220uH/M | 220 \pm 20% | 0.450 | 1.80 |
| CKOB1808-330uH/M | 330 \pm 20% | 0.700 | 1.00 |
| CKOB1808-560uH/M | 560 \pm 20% | 1.20 | 0.90 |
| CKOB1808-1mH/M | 1000 \pm 20% | 1.80 | 0.80 |

Remark: 1. All test data is reference to 25 $^{\circ}$ C ambient.

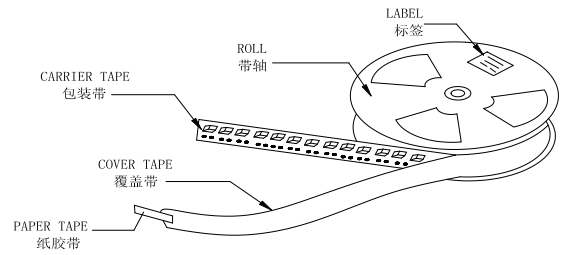
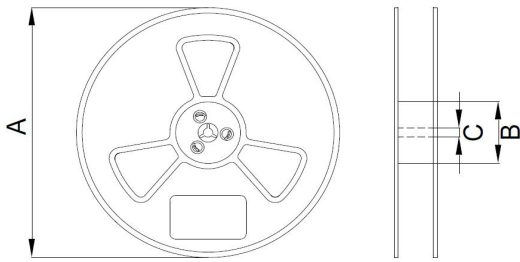
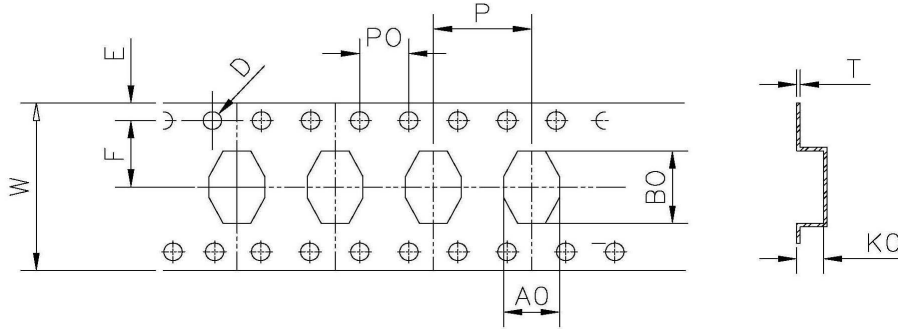
2. Inductance Tested at 100kHz,0.25Vrms

3. IDC: DC current at which the inductance drops approximate 20% from its value without current;

4. Irms: DC current that causes the temperature rise ($\Delta T \leq 40^{\circ}C$) from 25 $^{\circ}$ C ambient.

5. Operating Temperature : -40 $^{\circ}$ C ~ +125 $^{\circ}$ C(Including self - temperature rise)

● **PACKAGING SPECIFICATION 包装规格**



| TYPE(型号) | Tape Dimension 载带尺寸(mm) | | | | | | Reel Dimension 卷盘尺寸 (mm) | | | Quantity (Pcs/Reel) 数量 (个/卷) |
|----------|-------------------------|------|------|------|-----|------|--------------------------|-----|----|------------------------------|
| | W | A0 | B0 | K0 | D | P | A | B | C | |
| CKOB1306 | 24.0 | 9.5 | 13.5 | 5.5 | 1.5 | 12.0 | 330 | 100 | 13 | 1000 |
| CKOB1312 | 24.0 | 9.5 | 13.3 | 11.7 | 1.5 | 12.0 | 330 | 100 | 13 | 250 |
| CKOB1808 | 32.0 | 15.1 | 19.7 | 6.8 | 1.5 | 20.0 | 330 | 100 | 13 | 500 |